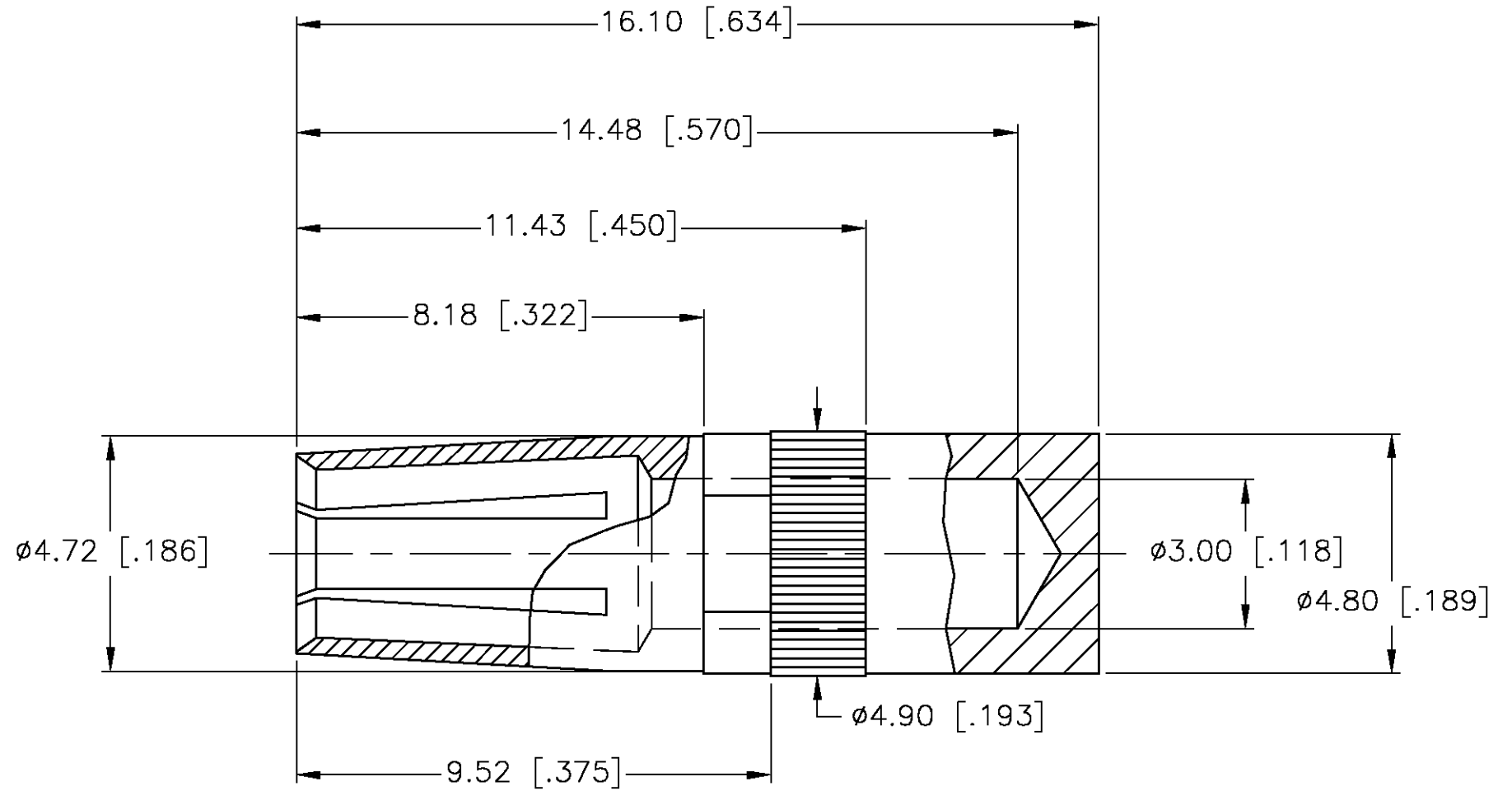
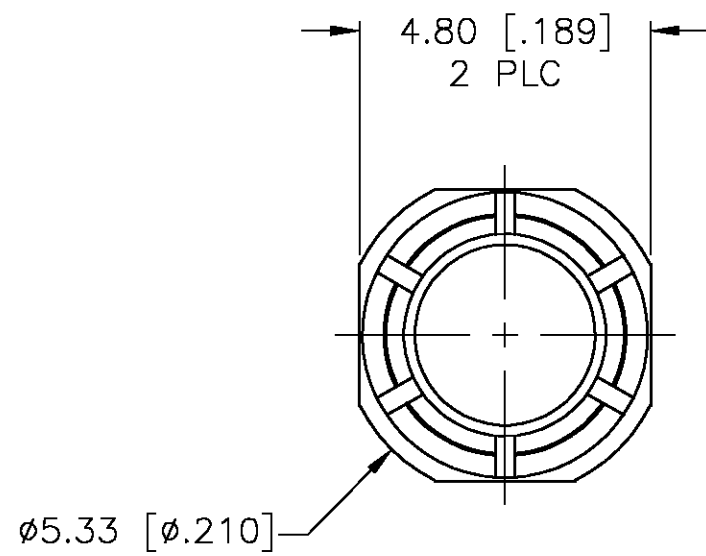


THIS DRAWING IS UNPUBLISHED. RELEASED FOR PUBLICATION
 © COPYRIGHT BY TYCO ELECTRONICS CORPORATION. ALL RIGHTS RESERVED.

LOC	DIST	REVISIONS					
AD	00	P	LTR	DESCRIPTION	DATE	DWN	APVD
			A	REV PER EC 0S12-0450-04	13JAN05	BC	RP



1.27µm [.000050] MIN GOLD	△ 1	148375-2
0.76µm [.000030] MIN GOLD	△ 1	148375-1
FINISH	MATERIAL	PART NUMBER

△
1 CONTACT: BERYLLIUM COPPER

THIS DRAWING IS A CONTROLLED DOCUMENT.		DWN L. BRINER 3/3/97	Tyco Electronics Corporation Harrisburg, Pa 17105-3608	
DIMENSIONS: mm		CHK R. PATTERSON 3/3/97	NAME POWER CONTACT, FEMALE BOARD MOUNT, SOLDER	
TOLERANCES UNLESS OTHERWISE SPECIFIED:		APVD R. PATTERSON 3/3/97	PRODUCT SPEC	
0 PLC ± - 1 PLC ± - 2 PLC ± 0.13 [.005] 3 PLC ± - 4 PLC ± - ANGLES ± -		APPLICATION SPEC		
MATERIAL △ 1	FINISH SEE TABLE	WEIGHT -	SIZE A3	CAGE CODE 00779
CUSTOMER DRAWING			DRAWING NO C-148375	RESTRICTED TO -
			SCALE 4:1	SHEET 1 OF 1
			REV A	